

**Kem-P**<sup>®</sup> Vibration Motors

EVM-DC

# EVM-DC SERIES

Ex II 2D Ex tb IIIB T 120° C Db - IP 66



EVM-DC

KALITE / QUALITY →

TASARIM / DESIGN →

TEKNOLOJİ / TECHNOLOGY →

YENİLİK / INNOVATION →

GÜÇ / POWER →

TECRÜBE / KNOW-HOW →

SERVİS / SERVICE →

PERFORMANS / PERFORMANCE →

VERİMLİLİK / PRODUCTIVITY →

[www.kem-p.com](http://www.kem-p.com)



## 24V / DC

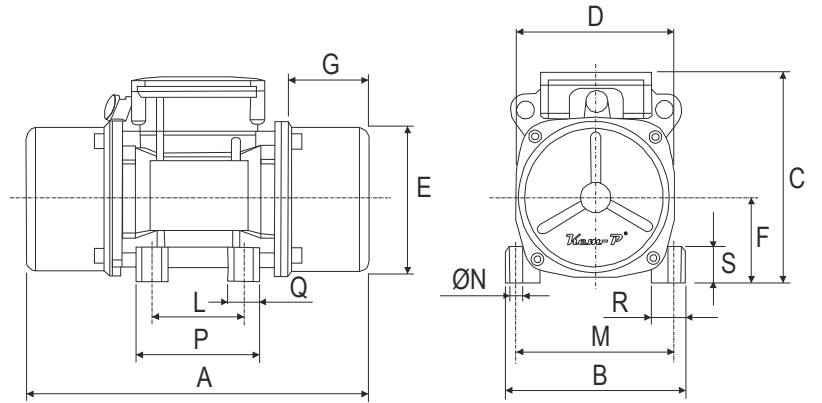
Model Type	Gövde Size	Ex II 2D Sınıfı Class	Vibrasyon Motoru - Vibrations Motors							Konverter - Converters	
			Devir rpm	Santrüfjüj Kuvveti Centrifugal Force		Statik Moment Statical Moment ( Kgmm )	Ağırlık Weight ( Kg )	Giriş Gücü Input Power ( W )	Nominal Akım Nom. Current ( A )	Giriş Gücü Input Power ( W )	Nominal Akım Nom. Current ( A )
				( Kg/F )	( KN )						
EVM/DC 130-24	01	120°	3000	125	1,226	12,4	4,7	180	2,80	650	10,0
EVM/DC 200-24	01	120°	3000	187	1,834	18,6	5	180	3,00	650	10,0
EVM/DC 90-24	01	120°	1500	78	0,765	31,0	5,5	95	2,50	650	10,0

## 12V / DC

Model Type	Gövde Size	Ex II 2D Sınıfı Class	Vibrasyon Motoru - Vibrations Motors							Konverter - Converters	
			Devir rpm	Santrüfjüj Kuvveti Centrifugal Force		Statik Moment Statical Moment ( Kgmm )	Ağırlık Weight ( Kg )	Giriş Gücü Input Power ( W )	Nominal Akım Nom. Current ( A )	Giriş Gücü Input Power ( W )	Nominal Akım Nom. Current ( A )
				( Kg/F )	( KN )						
EVM/DC 130-12	01	120°	3000	125	1,226	12,4	4,7	180	7,20	650	10,0
EVM/DC 200-12	01	120°	3000	187	1,834	18,6	5	180	7,35	650	10,0
EVM/DC 90-12	01	120°	1500	78	0,765	31,0	5,5	95	7,10	650	10,0



Model Type	Gövde Size	Gövde Ölçüleri - Overall Dimensions (mm)														
		Rif	A	B	C	D	ØE	F	G	L	M	ØN	P	Q	R	S
EVM/DC 130-24	01	--	241	125	145	109	100	58	60,5	<b>70÷74</b>	<b>106</b>	<b>8,75</b>	90	23	23	23
EVM/DC 200-24	01	--	241	125	145	109	100	58	60,5	<b>70÷74</b>	<b>106</b>	<b>8,75</b>	90	23	23	23
EVM/DC 90-24	01	--	241	125	145	109	100	58	60,5	<b>70÷74</b>	<b>106</b>	<b>8,75</b>	90	23	23	23
EVM/DC 130-12	01	--	241	125	145	109	100	58	60,5	<b>70÷74</b>	<b>106</b>	<b>8,75</b>	90	23	23	23
EVM/DC 200-12	01	--	241	125	145	109	100	58	60,5	<b>70÷74</b>	<b>106</b>	<b>8,75</b>	90	23	23	23
EVM/DC 90-12	01	--	241	125	145	109	100	58	60,5	<b>70÷74</b>	<b>106</b>	<b>8,75</b>	90	23	23	23



12V - DC 24V - DC

Motor  $\Delta$  TRIANGLE

