

Kem-P[®] Vibration Motors

EVM-D

EVM-D SERIES

Ex II 2D Ex tb III B T 120° C Db - IP 66



EVM-D

KALITE / QUALITY →

TASARIM / DESIGN →

TEKNOLOJİ / TECHNOLOGY →

YENİLİK / INNOVATION →

GÜÇ / POWER →

TECRÜBE / KNOW-HOW →

SERVİS / SERVICE →

PERFORMANS / PERFORMANCE →

VERİMLİLİK / PRODUCTIVITY →

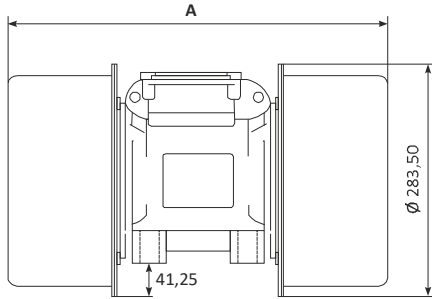
www.kem-p.com



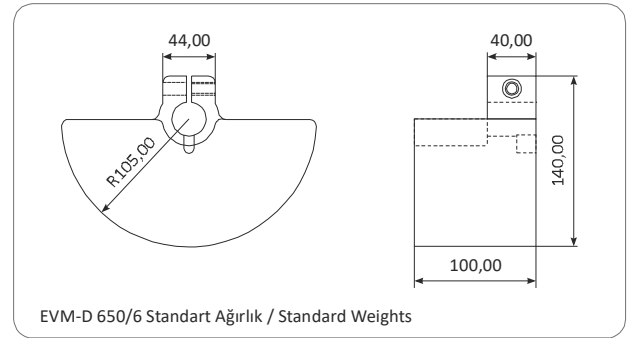
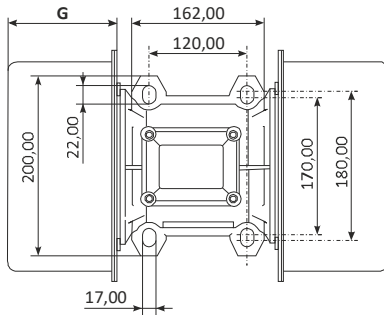
Ex II 2D Ex tb IIIC T 120° C Db - IP 66

Model Type	Gövde Size	Ex II 2D Sınıfı Class	Devir rpm	Santrüfjüj Kuvveti Centrifugal Force		(*)Statik Moment Statical Moment (Kgmm)	Ağırlık Weight (Kg)	Giriş Gücü Input Power (W)	Nominal Akım Nom. Current (A)
				(Kg/F)	(KN)				
EVM-D 650/6	04	120°	60	608	5,964	1510,8	51,0	300	1,55
EVM-D 800/6	05	120°		730	7,161	1814,0	65,0	400	1,74

(*) Working moment = 2x static moment



Model Type	Gövde Ölçüleri - Overall Dimensions (mm)				
	A	G	L	M	ØN
EVM-D 650/6	464	129	120	170÷180	Ø17
EVM-D 800/6	554	174	120	170÷180	Ø17



Model Type	A	B	C	D
* EVM-D 650/6	37	159,5	45	216
EVM-D 800/6	37	160	50	230

* Opsiyonel Ağırlık / Optional Weights

